

SmartGATE™ Double Door Upright Ice Storage Bins

SPECIFICATIONS

*Non-corroding poly liners on all models!
Industry-exclusive inner SmartGATE!*



SG2100-72

Poly ice access door assembly

- No sharp corners
- Saves aisle space — only 8" (204mm) deep
- Removes with only 3 screws, no sealant



Only **SmartGATE** positively controls ice flow into access door area for increased safety, reduced spillage.

Safely loosen congealed ice through SmartGATE with optional Ice Probe accessory. Released ice remains behind SmartGATE.

Job: _____

Item: _____

Higher capacity ice storage bins with industry-exclusive SmartGATE for use with all major commercial icemakers. Complete stainless exterior standard, including stainless back and bottom. All bins include stainless tops custom cut for icemaker(s) and 6" (153mm) adjustable legs.

Wide range of sizes to meet varied needs

- Seven models in capacities from 1850 to 4640 lbs (839 to 2105kg)

Industry-exclusive inner SmartGATE delivers more safety, less spillage

- Positively controls ice flow into access door area for easy removal with either scoop or shovel
- Allows loosening of congealed ice without lifting gate for increased safety and reduced spillage
- Latches up in 3 positions
- Automatically unlatches for return to full down position

Durable polyethylene lift doors with PowerHinge

- Doors stay safely open without catches
- No sharp corners to injure workers
- Eliminates gaskets

Poly ice access door assembly

- Withstands heavy abuse in critical area
- Eliminates rusting and corrosion
- Saves aisle space — only 8" (204mm) deep

Non-corroding poly liner walls

- Eliminates liner pitting and staining
- Makes cleaning easy

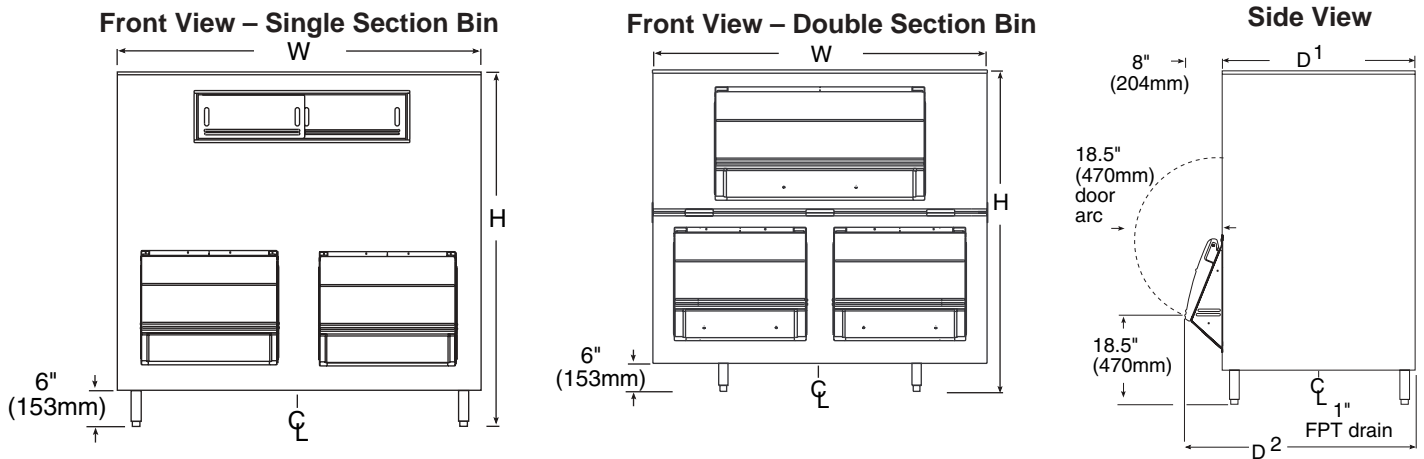
Other quality construction features

- Heavy-duty welded construction
- Non-CFC foamed-in-place insulation
- Translucent double-wall poly windows on 1-section bins; upper access snout on 2-section bins
- Stainless tops custom cut for specific icemaker(s)

Optional accessories

- SmartCart 75 with 3 Totes
- Ice paddle and hanging bracket
- Plastic shovel
- Drain pan (required for some Vogt and Howe icemakers; consult factory)
- Stainless legs
- Stainless legs with flanged feet
- Centered bin partition

SmartGATE™ Double Door Upright Ice Storage Bins



1" FPT drain

Follett recommends installation of a floor drain with grate with all ice storage bins.

U.S. Patent 5,797,514
Other patents pending

Model Number	Cubic Capacity	Max. Bin Capacity ¹	Width (W)	Depth (D ¹) ²	Depth w/Door (D ²) ^{2,3}	Height with Legs ⁴	Height Upper Section ⁴	Height Lower Section	Req'd Door Access ⁵	Approx. Ship Wt. ²
SG1850-96	59.4 cu. ft 1.68 cu. m	1870 lbs 848 kg	96" 2439 mm	31" 788 mm	39" 991 mm	51" 1296 mm			32" 813 mm	618 lbs 280 kg
SG2100-72	67.1 cu. ft 1.90 cu. m	2110 lbs 957 kg	72" 1829 mm	40" 1016 mm	48" 1220 mm	57" 1448 mm			41" 1042 mm	605 lbs 274 kg
SG2250-72	71.5 cu. ft 2.02 cu. m	2250 lbs 1021 kg	72" 1829 mm	48" 1220 mm	56" 1423 mm	50.5" 1283 mm			46" 1169 mm	608 lbs 276 kg
SG2650-72	84 cu. ft 2.38 cu. m	2650 lbs 1202 kg	72" 1829 mm	40" 1016 mm	48" 1220 mm	66.5" 1690 mm			41" 1042 mm	656 lbs 298 kg
SG3200-72	102.7 cu. ft 2.90 cu. m	3240 lbs 1470 kg	72" 1829 mm	48" 1220 mm	56" 1423 mm	69.5" 1766 mm	31.5" 801 mm	34.5" 877 mm	35" 889 mm	894 lbs 406 kg
SG3900-72	125.1 cu. ft 3.54 cu. m	3940 lbs 1787 kg	72" 1829 mm	48" 1220 mm	56" 1423 mm	81.5" 2071 mm	43" 1093 mm	34.5" 877 mm	44" 1118 mm	1003 lbs 455 kg
SG4600-72	147.4 cu. ft 4.17 cu. m	4640 lbs 2105 kg	72" 1829 mm	48" 1220 mm	56" 1423 mm	93" 2363 mm	43" 1093 mm	46.5" 1182 mm	47" 1194 mm	1083 lbs 491 kg

- Notes:**
- 1 Computed on cubic volume and does not reflect voids that can occur due to pyramiding.
 - 2 Add 2" (51mm) to depths and 10 lbs (4.5kg) to ship. wt. when drain pan required.
 - 3 Door assemblies remove easily (3 screws, no silastic) if required for installation access.
 - 4 Special top required for icemaker(s) weighing more than 1000 lbs (454kg). Add 2.125" (54mm) to height. Contact factory.
 - 5 Required clearance for installation access through doors (may require removal of door assemblies. See Note 3).

Specifications

Ice storage bin to be Follett model ____ with industry-exclusive SmartGATE™. Cubic capacity to be ____, to hold approximately ____ lbs/kg of ice. Construction to be of welded steel shell and frame. Exterior finish to be stainless steel front, sides, back, and bottom. Bin liner to have non-corroding polyethylene walls and stainless steel bottom. Bin insulation to be non-CFC polyurethane foam, bonded to shell and liner for added structural strength. Bin top to be stainless steel custom cut for specific icemaker(s) to be used. Lower door assembly to include non-corroding poly snout, poly lift door with PowerHinge to eliminate gasket and latches, and inner SmartGATE to positively control ice flow into snout area and reduce spillage. Entire lower door assembly to be easily removable for installation through narrow doors. Where used, upper inspection windows to be of molded double-wall plastic to increase durability and minimize meltage and condensation. Bin to have 6" (153mm) legs, adjustable to 7.5" (191mm). Bin drain to be 1" FPT rigid PVC. Bin to be NSF listed.

Follett reserves the right to change specifications at any time without obligation.