

- ✓ Produces up to 260 lbs. (118 Kgs.)\* of ICE per day
- ✓ Built-in application storage of 100 lbs. (45 Kgs.)
- ✓ Low profile - 39 inches (991 mm) tall
- ✓ Only 24 Inches (607 mm) wide



## ***ICE-O-Matic is the Best ICE Making Solution for: Hard Water, Food Safety and Tight Spaces***

### ***Problem***

#### **Food Safety**

Food safety concerns about slime- and odor-causing bacteria

#### **Hard Water**

Scaling due to hard water slows Ice production

#### **Tight-Fitting Spaces**

Inadequate air flow due to tight-fitting spaces reduces Ice production

#### **Dirty Air Filter**

Forget to change the air filter?

### ***Solution***

#### **PURE ICE® - Exclusively by ICE-O-Matic**

Built-in antimicrobial protection for the life of the machine prevents bacteria and slime fungus growth. ICE-O-Matic's optional water filtration system provides protection against unpleasant tastes, odors and scale formation.

#### **Harvest Assist**

Consistent ICE production 24 / 7 for the life of the machine, while reducing operating costs

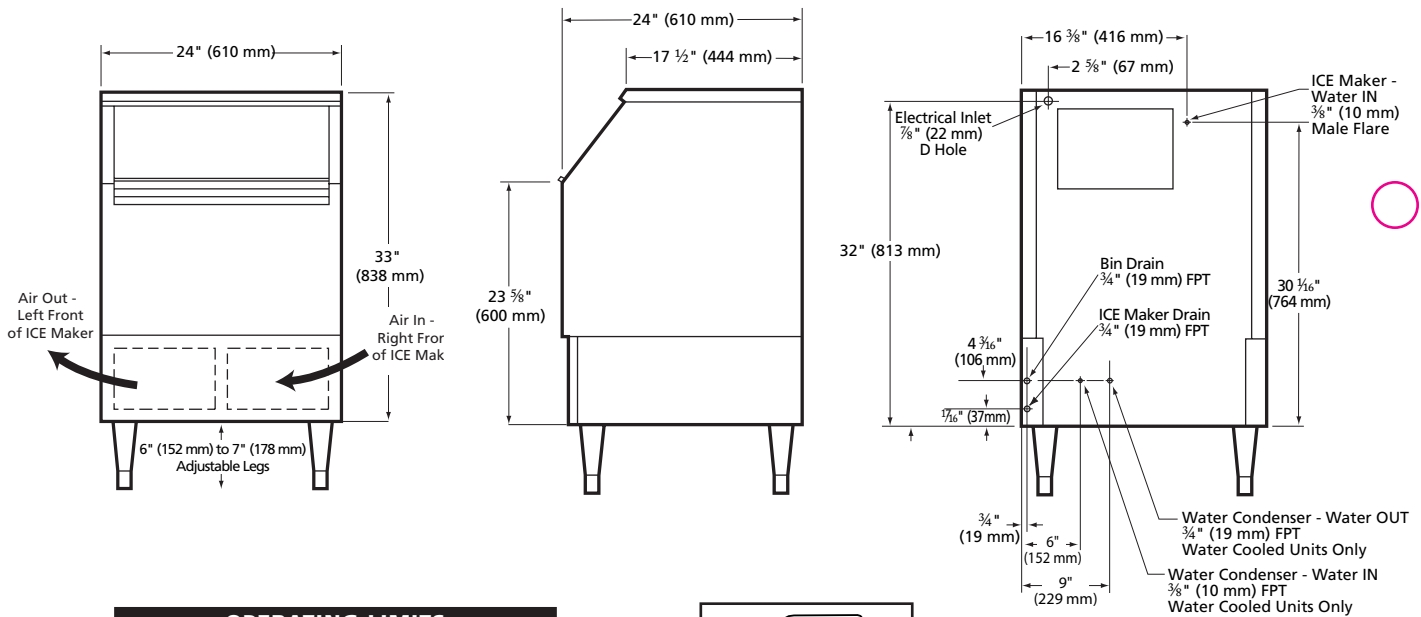
#### **Front Air Discharge**

Air is drawn in and exhausted from the front - no side clearance required

#### **Filter-Free Air**

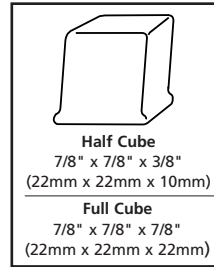
No air filter to change

# ICEU 220 Series Cube ICE Maker



## OPERATING LIMITS

Ambient Temp. Range	50° - 110°F (10° - 43°C)
Air & Water	40° - 100°F (4.5° - 38°C)
Water Temp. Range	Min. 20 psi (1.4 bar)
Water Pressure ICE Maker	Max. 60 psi (6.9 bar)
Water in	Min. 20 psi (1.4 bar)
Condenser Inlet Water (Water cooled only)	Max. 60 psi (6.9 bar)



## ICE PRODUCTION CHART POUNDS (KILOGRAMS) PER 24 HOURS

		ICEU 220			ICEU 226			ICEU 225		
Conds. Unit	Air Temp. °F (°C)	Water Temp. °F (°C)			Water Temp. °F (°C)			Water Temp. °F (°C)		
		80°(27°)	70°(21°)	50°(10°)	80°(27°)	70°(21°)	50°(10°)	80°(27°)	70°(21°)	50°(10°)
Air Cooled	90° (32°)	163 (74)	<b>175 (80)</b>	200 (91)	156 (71)	<b>168 (76)</b>	197 (90)	133 (60)	<b>143 (65)</b>	170 (77)
	80° (27°)	185 (84)	199 (91)	219 (100)	185 (84)	199 (91)	219 (100)	161 (73)	173 (79)	191 (87)
	70° (21°)	201 (91)	216 (98)	<b>238 (108)</b>	204(93)	219 (100)	<b>241 (110)</b>	178 (81)	192 (87)	<b>211 (96)</b>
Water Cooled	90° (32°)	205 (93)	<b>220 (100)</b>	236 (107)	179 (81)	<b>192 (87)</b>	208 (95)	162 (74)	<b>174 (79)</b>	188 (86)
	80° (27°)	210 (95)	225 (102)	248 (113)	186 (85)	200 (91)	220 (100)	168 (77)	181 (82)	199 (91)
	70° (21°)	220 (100)	236 (107)	<b>260 (118)</b>	196 (89)	211 (96)	<b>232 (105)</b>	178 (81)	191 (87)	<b>210 (95)</b>

- 90° / 70° figures are rated in accordance with ARI Standard 810. All remaining points are mathematical estimates.
- All specifications and performance data are subject to normal manufacturing variances.
- Application bin storage is 100 lbs. (45 Kgs.) = 90% of Internal Volume x 34 lbs. Per Cubic Foot
- ARI bin storage is 74 lbs. (34 Kgs.) = 80% of Internal Volume x 30 lbs. Per Cubic Foot

## ORDERING AND SPECIFICATION INFORMATION

Model No.	Cond. Unit	ICE Production per 24 hrs. at 70° Air/50° Water lbs. (Kgs.)	ICE Production per 24 hrs. at 90° Air/70° Water lbs. (Kgs.)	Water Used-Gals. (Lits.) per 100 lbs. of ICE 90° Air/70° Water		Kilowatts Used per 100 lbs. of ICE 90° Air 70° Water	Btuh	Voltage Characteristics	No. of Wires	Min. Circuit Amp.	Max. Fuse Size	Shipping Weight lbs. (Kgs.)
				ICE Prod. Use	Cond. Use							
ICEU220*A	Air	238 (108)	175 (80)	30.3 (115)	n/a	8.8	1570	115/60/1	3	11.9	15	175 (80)
ICEU220*W	Water	260 (118)	220 (100)	35.2 (133)	173 (655)	6.0	1570	115/60/1	3	8.9	15	175 (80)
ICEU226*A	Air	241 (110)	168 (76)	30.6 (116)	n/a	8.5	2170	208-230/60/1	3	6	15	175 (80)
ICEU226*W	Water	232 (105)	192 (87)	36.3 (137)	166.9 (632)	6.6	2170	208-230/60/1	3	4.4	15	175 (80)
ICEU225*A	Air	211 (96)	143 (65)	32.7 (124)	n/a	8.8	1720	230/50/1	3	4.9	15	175 (80)
ICEU225*W	Water	210 (95)	174 (95)	36.6 (139)	156.3 (592)	6.3	1720	230/50/1	3	4.1	15	175 (80)

• represents cube size. For full cube substitute an "F", for half cube substitute an "H". Please note: air-cooled units require 6" (152 mm) clearance for air intake and exhaust.



We reserve the right to make changes in design and construction at any time without obligation.  
2004 ©ICE-O-Matic Rev Code: 1020A-07/04-55

ICE-O-Matic 11100 E. 45th Avenue, Denver, CO 80239  
Tel. 303 371-3737 Fax. 303 371-6296 www.iceomatic.com