



IBS0500

Features

- Eliminates scooping and shoveling for quick and easy dispensing of ice into bags or containers.
- Low-voltage foot pedal activation makes for sanitary, hands-free bagging process.
- 1/2 horsepower chain driven motor with attached gear reducer and thermal overload protection for improved reliability.
- 100% stainless agitator minimizes ice bridging in the dispense area (IBS1000 has dual agitators for better ice management).
- 100% stainless auger for quick and easy dispensing.
- Dispenses 2 lbs (9.1 kg) of ice per second.
- Safety interlock switch prevents operation while access door is open.
- Stainless steel adjustable bag shelf for 8-12 lbs (3.6-5.4 kg) bags can be modified for 20 lbs (9 kg) bags.
- Custom cut stainless top is standard and allows installation with various size ice makers.
- 2-year warranty applies to all Ice-O-Matic Storage and Transport systems.

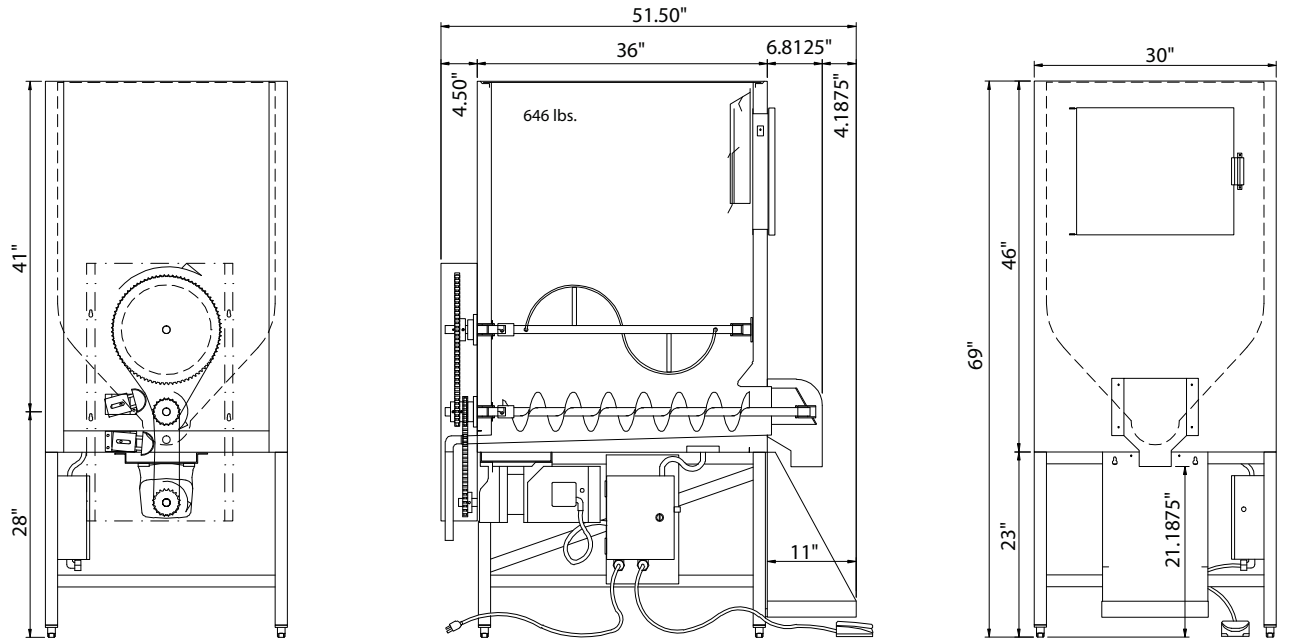
Specifications

Model Number	Capacity lbs (kg)	Width in. (mm)	Depth in. (mm)	Height in. (mm)	Voltage Characteristics	Min. Circuit Ampacity	Weight lbs (kg)
IBS0500	647 (293)	30 (762)	36 (914)	71 (1803)	115/60/1	8.4	510 (231)
IBS1000	1078 (489)	48 (1219)	36 (914)	71 (1803)	115/60/1	8.4	590 (268)

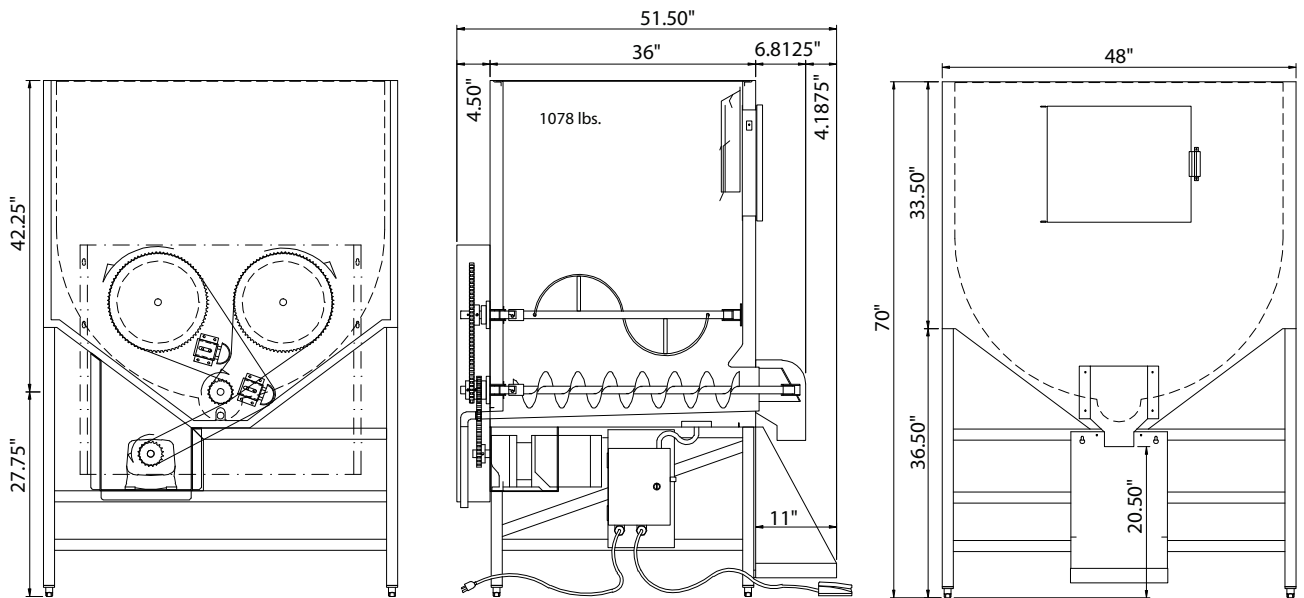
Simple Payback Chart

1. Current cost per bag from packaged ice company (8-10 lbs)	
2. Average cost to produce an 8-10 lbs bag of ice	\$0.20
3. Savings per bag (Subtract line 2 from line 1)	
4. Average number of bags sold per month	
5. Savings per month (Multiply line 3 and line 4)	
6. Annual savings (Multiply savings from line 5 by 12)	

Dimensions



IBS0500



IBS1000

Notes:

- Depth is hopper only, so allow an additional 8" (203 mm) in front for ice chute.
- Allow a minimum of 12" (305 mm) for service access.
- Add 5.5" (140 mm) in back for chain guard on IBS0500 and 6.5" (165 mm) for IBS1000.